

Rules for the inspection of transport packaging
for export tea commodities

3

A

B

—

.....

.....

.....

.....

.....

.....

.....

.....

.....

.....

$$\frac{H}{h}$$

——

——

——

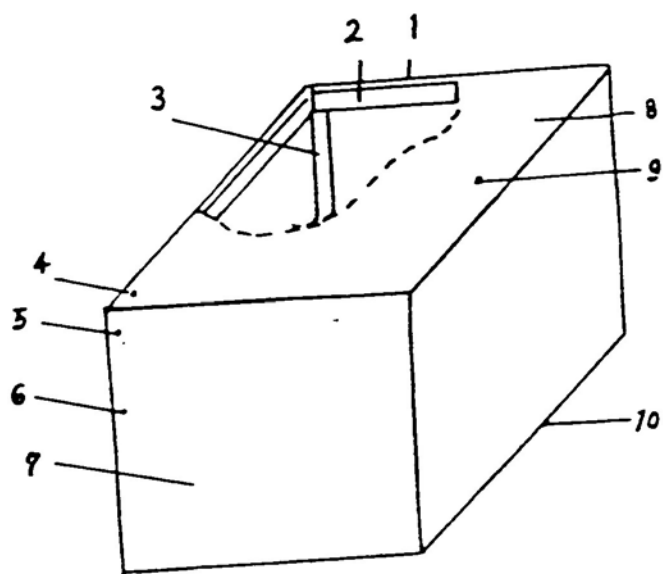
——

——

.....

.....

.....



—
—
—
—
—
—
—
—
—
—
